



## KFM\_Klips\_K Capsule Pressure Gauge - ABS-Case with Spring Clips

### LEITENBERGER

Mess- und Regeltechnik GmbH  
Bahnhofstraße 32/33  
D-72138 Kirchentellinsfurt  
Fon: +49 (0)7121/908-0  
Fax: +49 (0)7121/908-200  
E-Mail: mrt-info@leitenberger.de



**Capsule Pressure Gauges EN 837-3 - ABS plastic case  
wetted parts in copper alloy**

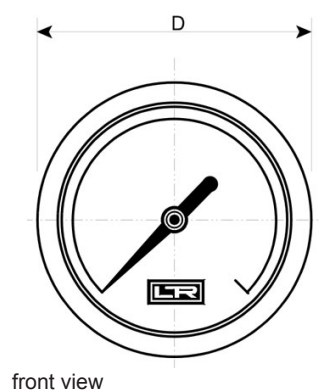
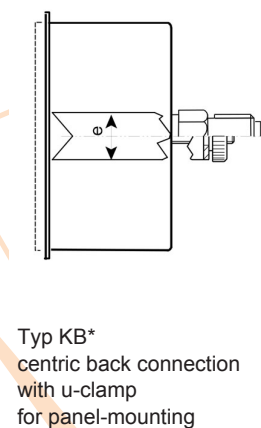
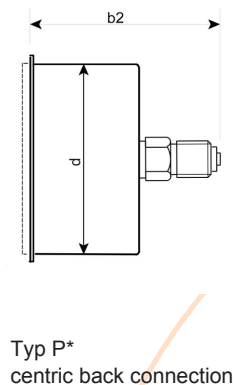
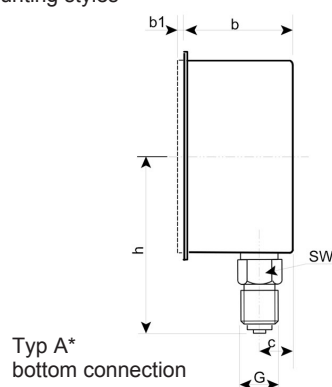
Service intended: Suitable for all gaseous media that will not obstruct the pressure system.

- protection: IP 45
  - connection: DS 50: 1/8" BSP M, brass (SW 14,17)  
DS 100: 1/2" BSP M, brass (SW 22)
  - other threads: (e.g. NPT) on request
  - window: plexiglass
  - zero point adjustment: adjusting screw in dial
  - accuracy: class 1.6 ( $\pm 1.6\%$  FS)
  - ranges: according to Norm  
DS 50 and DS 63: 0/25 mbar to 0/1000 mbar,  
DS 100: 0/16 mbar to 0/1000 mbar
  - pressure, vacuum and compound
- options:
- special dial (logo, special graduation etc.)

### Dimensions (mm)

NG	b	b1	b2	c	d	D	e	G	h	SW
50	36	-	61	6	49	57,5	13	1/8	50	17
63	40	3,5	63	13	61,5	68	13	1/4	55	17
100	42	-	75	13	99	104	13	1/2	82	22

### Mounting styles



## LEGEND

DS = dial size  
SW = wrench flats

