

MG6H / MG8H / MG1H Pressure Gauge

LEITENBERGER

Mess- und Regeltechnik GmbH

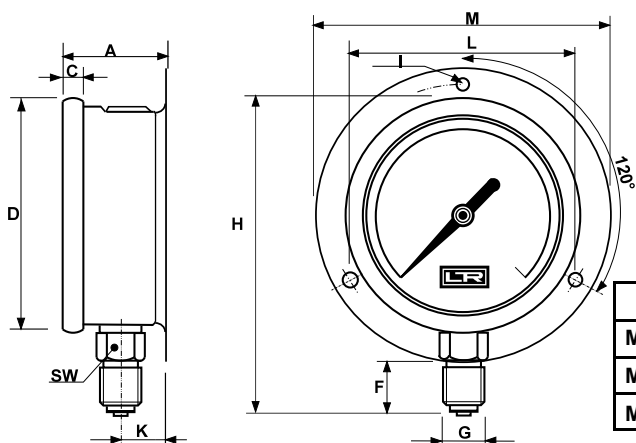
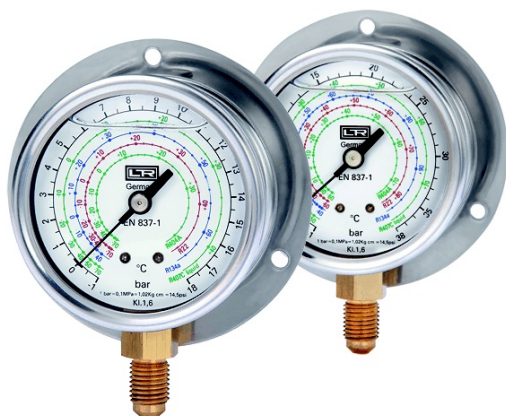
Bahnhofstraße 32/33

D-72138 Kirchentellinsfurt

Fon: +49 (0)7121/908-0

Fax: +49 (0)7121/908-200

E-Mail: mrt-info@leitenberger.de



Type	NG	A	C	D	F	G	H	K	I	L	M	SW
MG6H	63	32	6	68,3	13	1/4 SAE or 1/8 NPT	90	14	4,5	75	83,5	14
MG8H	80	34,5	6,3	86	10	1/8 NPT or 1/2 SAE	107	15	5	96	110	14
MG1H	100	42	7	105	18	1/2 SAE	135	13,5	5	118	132	22

**High- and Low-Pressure Gauge glycerin-filled,
with bottom connection surface mounting
2 scales for pressure bar + psi; 4 coloured scales for refrigerants**

- Case: AISI 304 stainless steel
- Window: Plexiglass
- Ring: AISI 304 stainless steel, polished
- Socket: 1/4 SAE or 1/8 NPT, bottom, OT 58 brass
- elastic element: Phosphor bronze
- Movement: Gearing, OT 59 brass
- Dial: White
- Pointer: Black oxidized aluminium
- Range: High pressure: -1/+38 bar / Low pressure: -1/+18 bar
- Accuracy: CL 1,6
- Ambient-T : +15 / +65°C
- Process Fluid-T: max. +65°C
- Process Pressure: max. 75% of full scale value
- Over Pressure: 25% of full scale value
- Blow-Out: EPDM
- Protection: IP65 according DIN EN 60529 / IEC29
- Options on Request:
 - Scales for all marketable refrigerants
 - Dry version without glycerine
 - other connectors