

LEITENBERGER

Mess- und Regeltechnik GmbH

Bahnhofstraße 32/33

D-72138 Kirchentellinsfurt

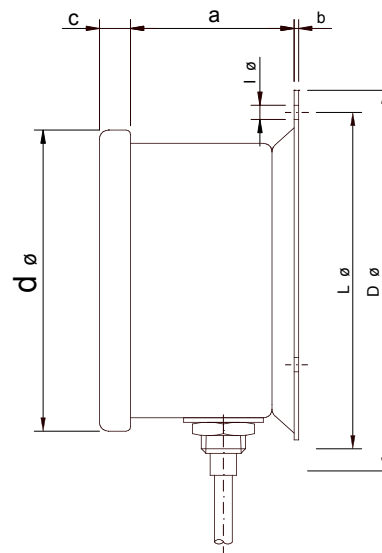
Fon: +49 (0)7121/908-0

Fax: +49 (0)7121/908-200

E-Mail: mrt-info@leitenberger.de

02.41

Thermometer In Inox-Case For Surface Mounting With Back Flange



Type	a	b	c	d	D	I	L
1063 HBR/V	45	0,8	6	68	85	3,6	75
1080 HBR/V	45	0,8	6	85	110	4,2	95
1100 HBR/V	47	0,8	7	105	132	4,5	116
1160 HBR/V	37	13	7	190	190	5,8	178

Case:	Stainless steel
Mounting:	Surface Mounting with back flange
Window:	Ø 60 and 80 glass, clear, temperature resistant up to + 65°C Ø 100 MAKROLON
Back flange:	Stainless steel
Measuring system:	double bourdon spring system, with bimetal compensation
Dial:	White with black prints
Scale length:	approx. 270 <°
Scale graduation:	1°, 2°, 5°, 10° depending on range
Range:	Between -80 ... +380 °C
Accuracy:	± 2% at +23 °C ambient temperature
Pointer:	Black
Capillary connection:	Bottom
Protection:	IP 65 according DIN EN 60529 / IEC 529

Options:	- customized dial, coloured scale
	- Accuracy ± 1%, ± 1,5%
	- drag pointer
	- back adjustment
	- glycerin filling
	- back connection for capillary